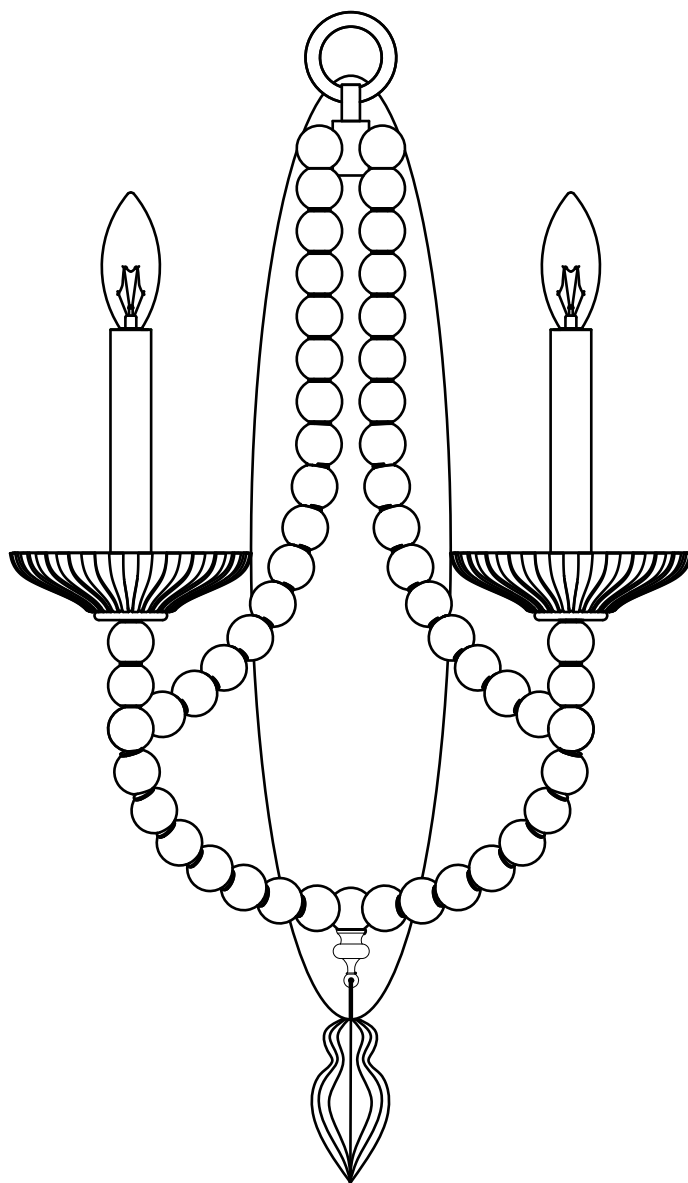




PRODUCT NAME: PARIS

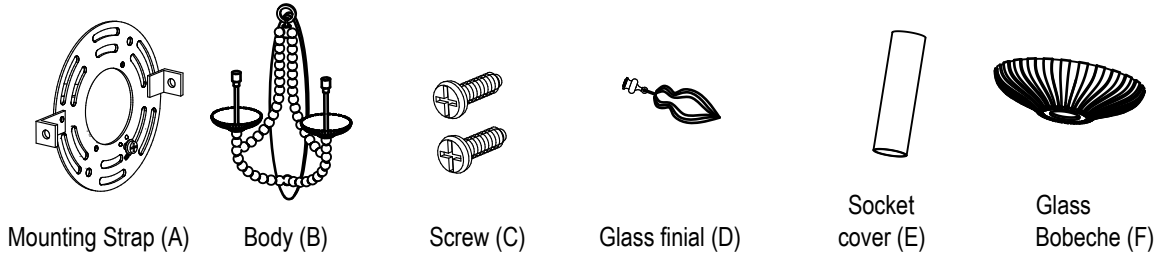
ITEM NUMBER: 30002CLPN

Please consult your electrician for hanging fixture and wiring.

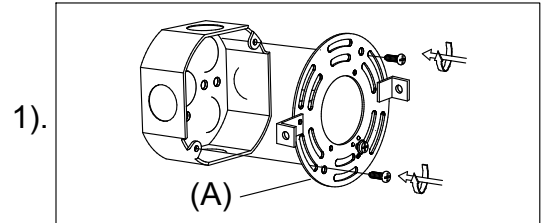
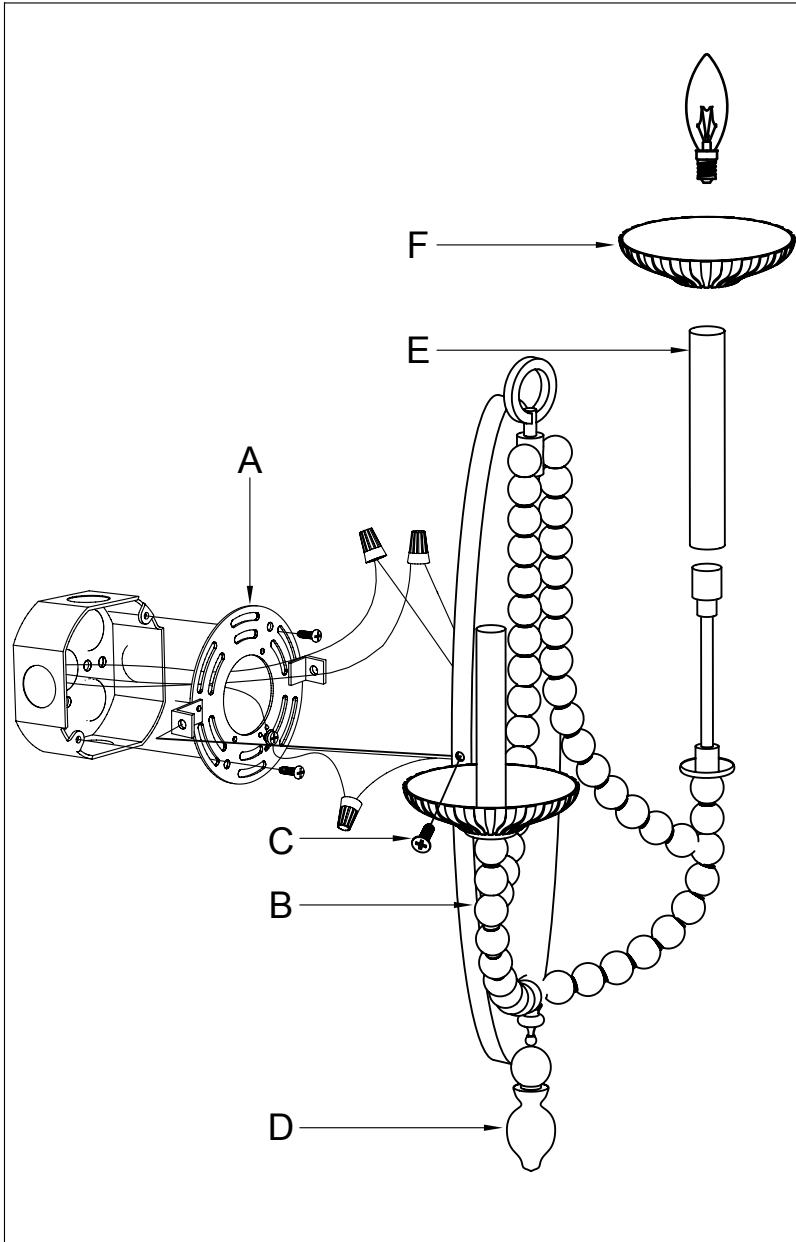


E12 2X60W (No bulb included)

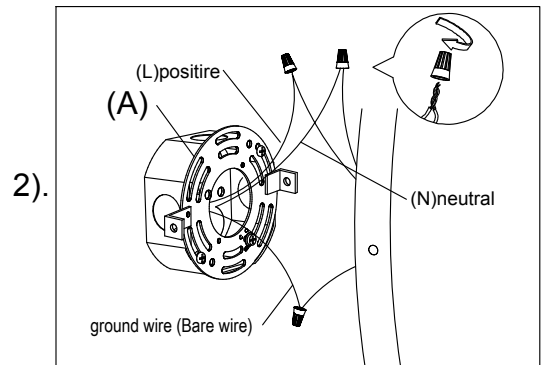
IMPORTANT: Turn off the power at the main fuse or circuit breaker box before starting installation.



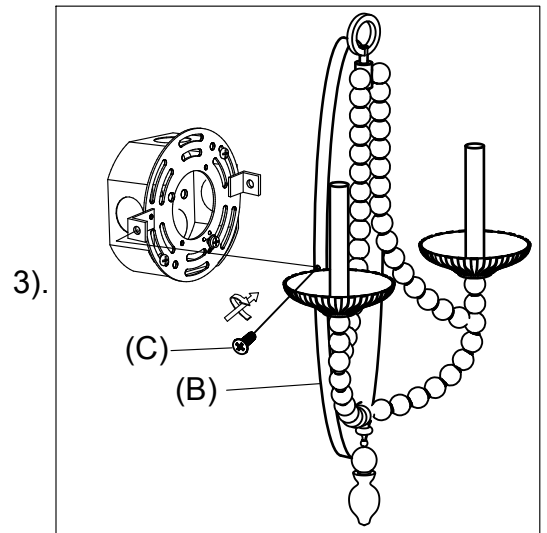
Locate all hardware & components before discarding packaging



Step.1: Remove mounting Strap (A) from fixture and install to electrical box.



Step.2: Wire fixture to wires in outlet box. Bare wire is for Ground.



Step.3: Install body (B) to the outlet box and secure with screw(C), Install Glass finial (D) at the bottom of the lamp body, Place the Socket cover (E) and Glass Bobeche (F) over the socket and Install light bulb.

Cleaning & Care:

Clean with soft cloth and a mild detergent.
Do not use abrasive cleaner.