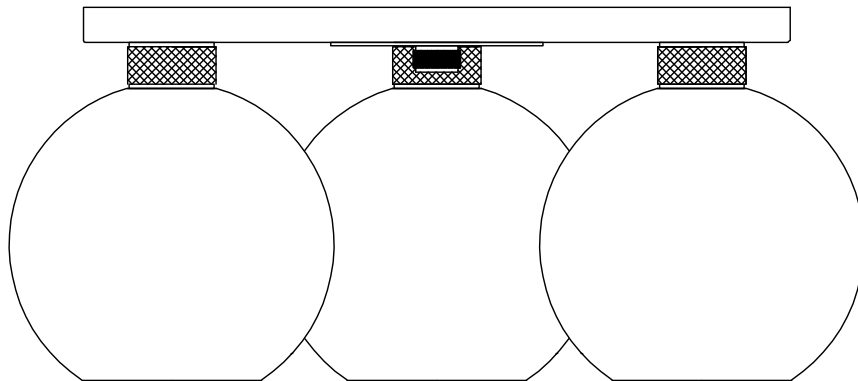




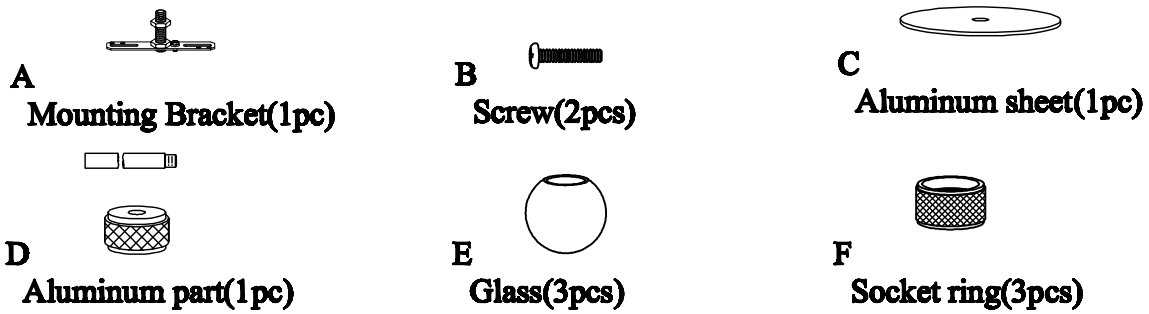
**PRODUCT NAME: Vessel 3-Light Flush Mount**  
**ITEM NUMBER: 21610CLBKAL**

**Please consult your electrician for hanging fixture and wiring.**

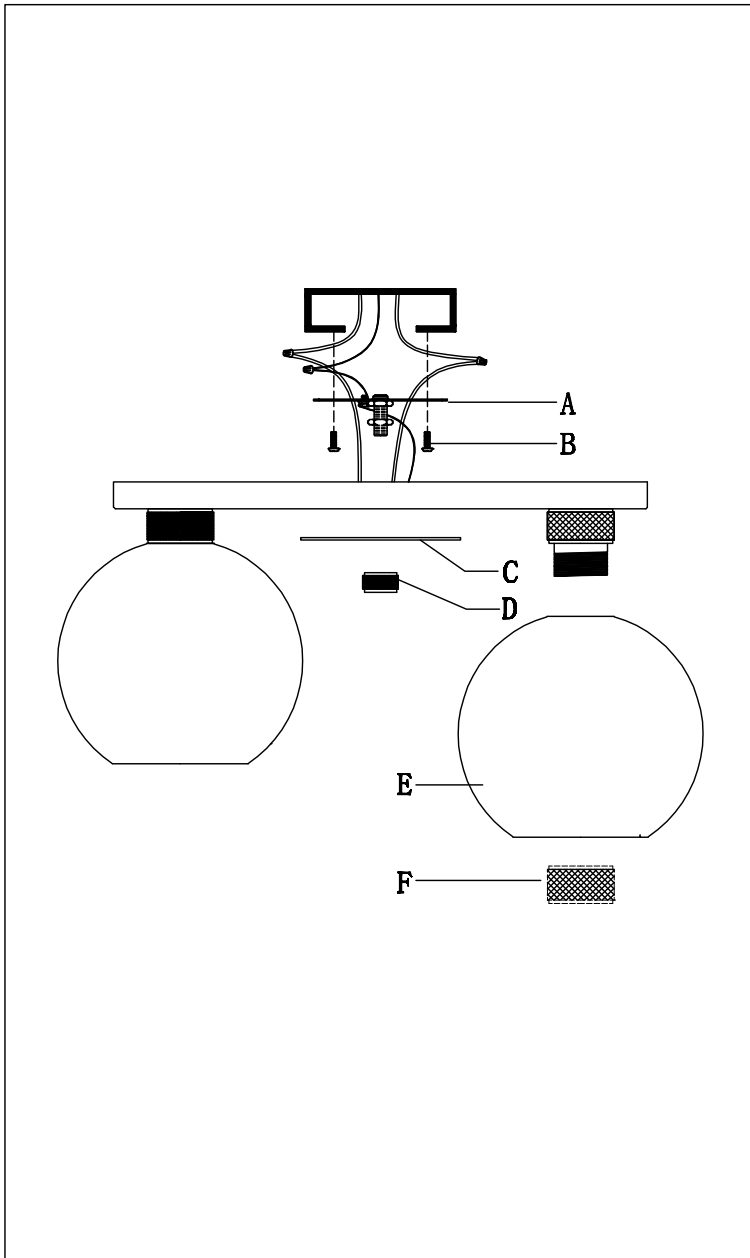


**Bulb(not included):3-60 Watt Medium Base Bulbs**

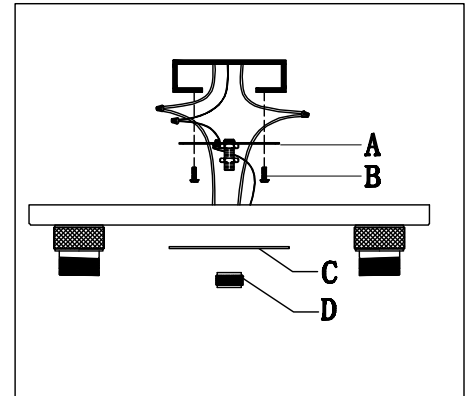
**IMPORTANT: Turn off the power at the main fuse or circuit breaker box before starting installation**



Locate all hardware & components before discarding packaging



1.)



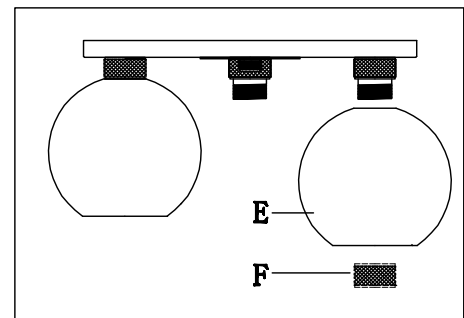
**Step.1: Remove mounting bracket from fixture and install to electrical box**

**Wire fixture to wires in outlet box.**

**Green wire is for Ground.**

**Install fixture and aluminum sheet(C) to bracket and tighten screws and aluminum part (D) of the canopy to secure.**

2.)



**Step2: Attached the Glass(E) to the socket, then secured by socket ring(F)**

**Cleaning & Care:**

**Clean with soft cloth and a mild detergent.  
Do not use abrasive cleaner.**