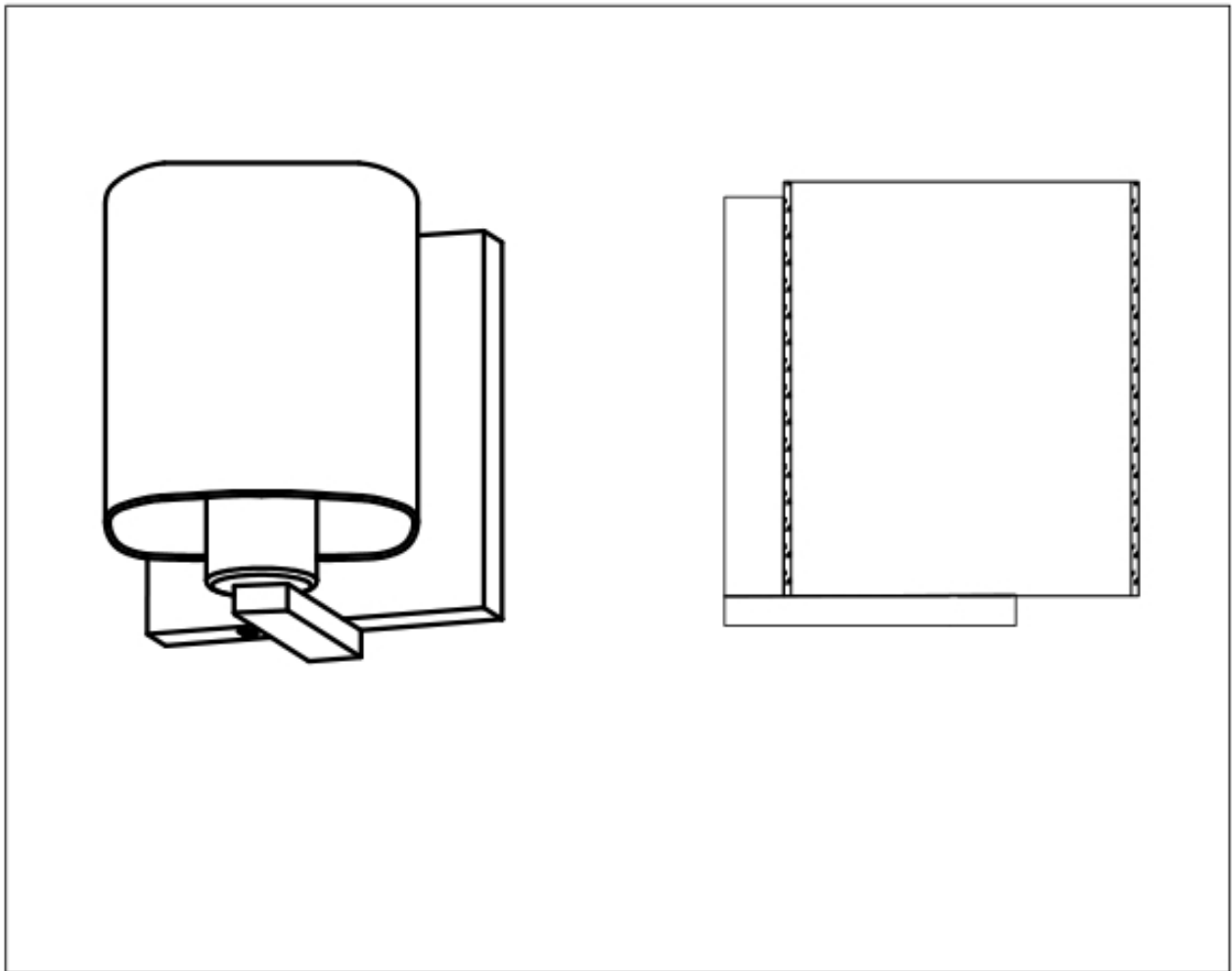




**PRODUCT NAME: WRAP 1LT Wall Sconce**  
**ITEM NUMBER:11251SWSN/11251SWPC**

**Please consult your electrician for hanging fixture and wiring.**

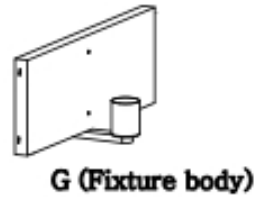
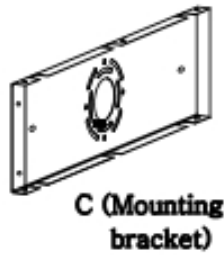
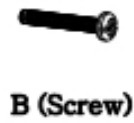


**Bulb(not included): 1\*MB 60W**

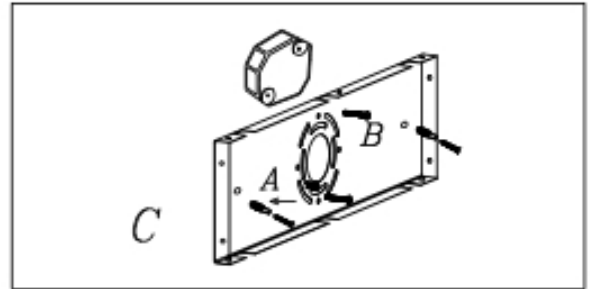
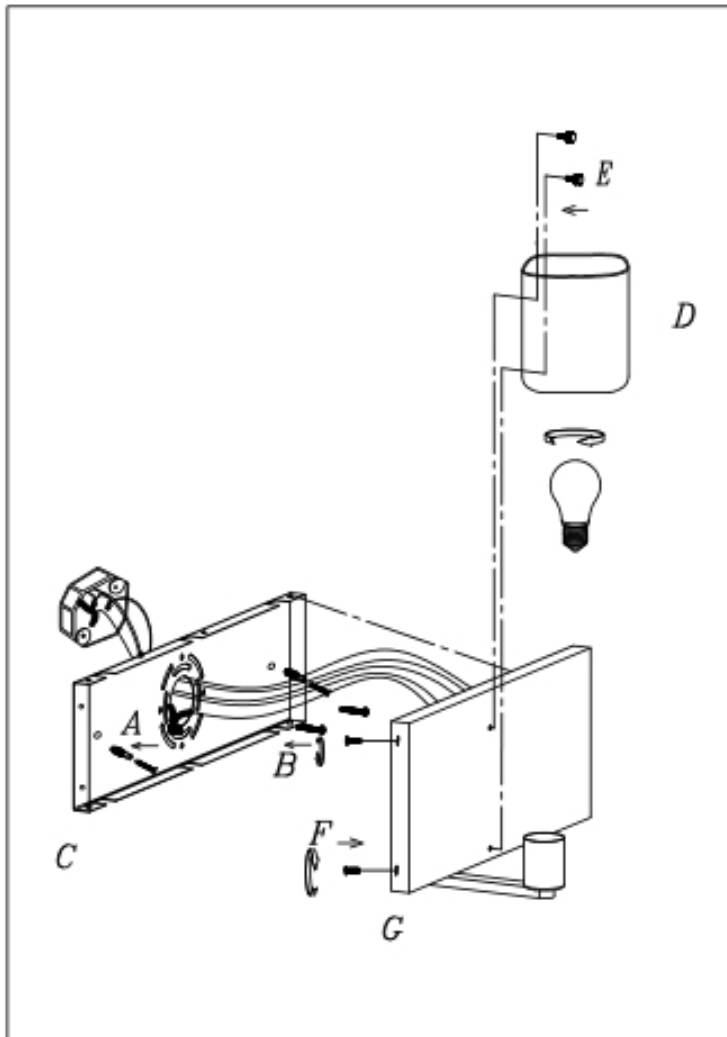
**MADE IN CHINA**

**Page 1 of (3)**

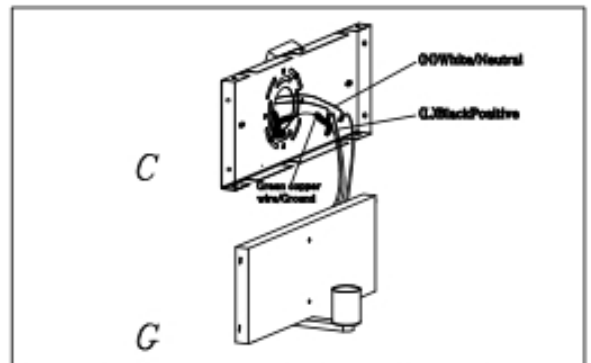
**IMPORTANT: Turn off the power at the main fuse or circuit breaker box before starting installation**



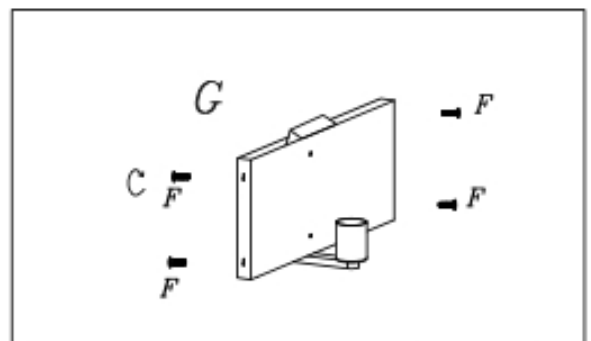
Locate all hardware & components before discarding packaging



**Step.1:Fasten the mounting bracket(C)onto the outlet box using two outlet box screws.**



**Step.2:Wire fixture to wires in outlet box.Freen copper wire is for ground.And carefully position all wires inside the outlet box.**



**Step.3:Place the fixture body(G)against mounting bracket,Align the two holes of the mounting bracket and fixture body,then tighten the screws(f).**

**Cleaning & Care:**

Clean with soft cloth and a mild detergent.  
Do not use abrasive cleaner.

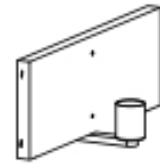
**IMPORTANT: Turn off the power at the main fuse or circuit breaker box before starting installation**



**D (Glass)**

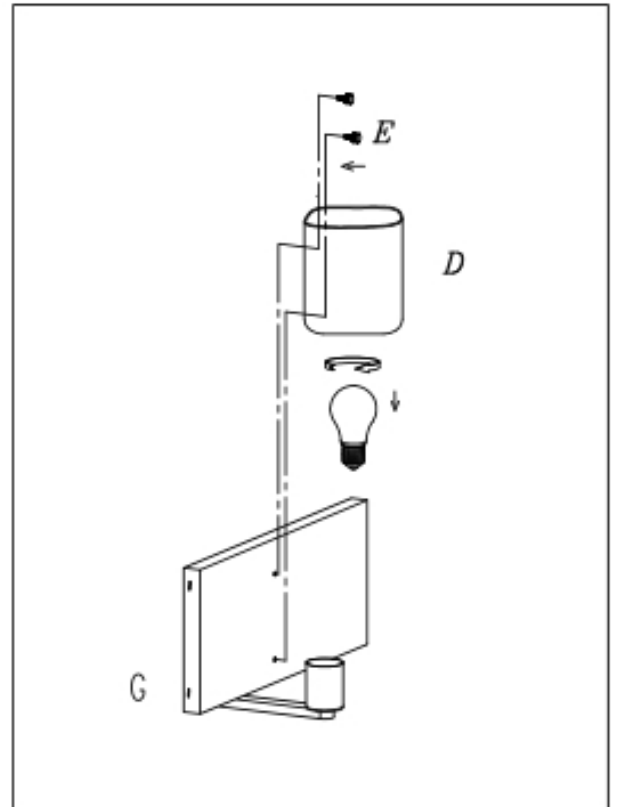
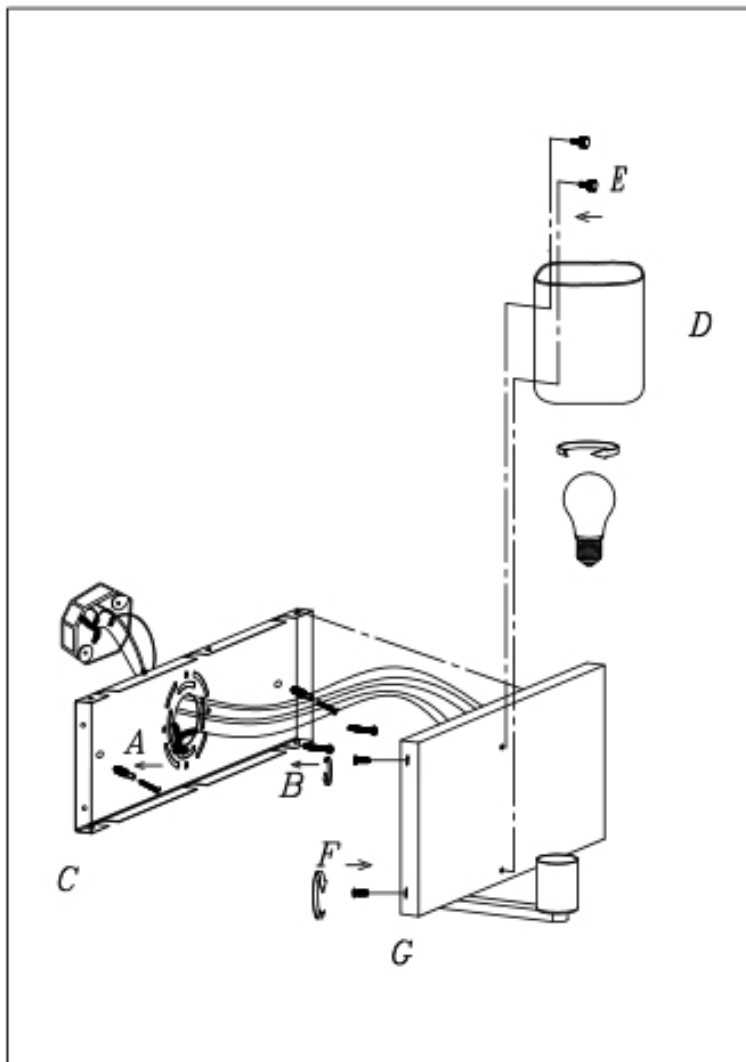


**E (Screw)**



**G (Fixture body)**

**Locate all hardware & components before discarding packaging**



**Strp.4:Align the glass with the holes in the backplate and secure with ball nuts provided.**

**Cleaning & Care:**

Clean with soft cloth and a mild detergent.  
Do not use abrasive cleaner.