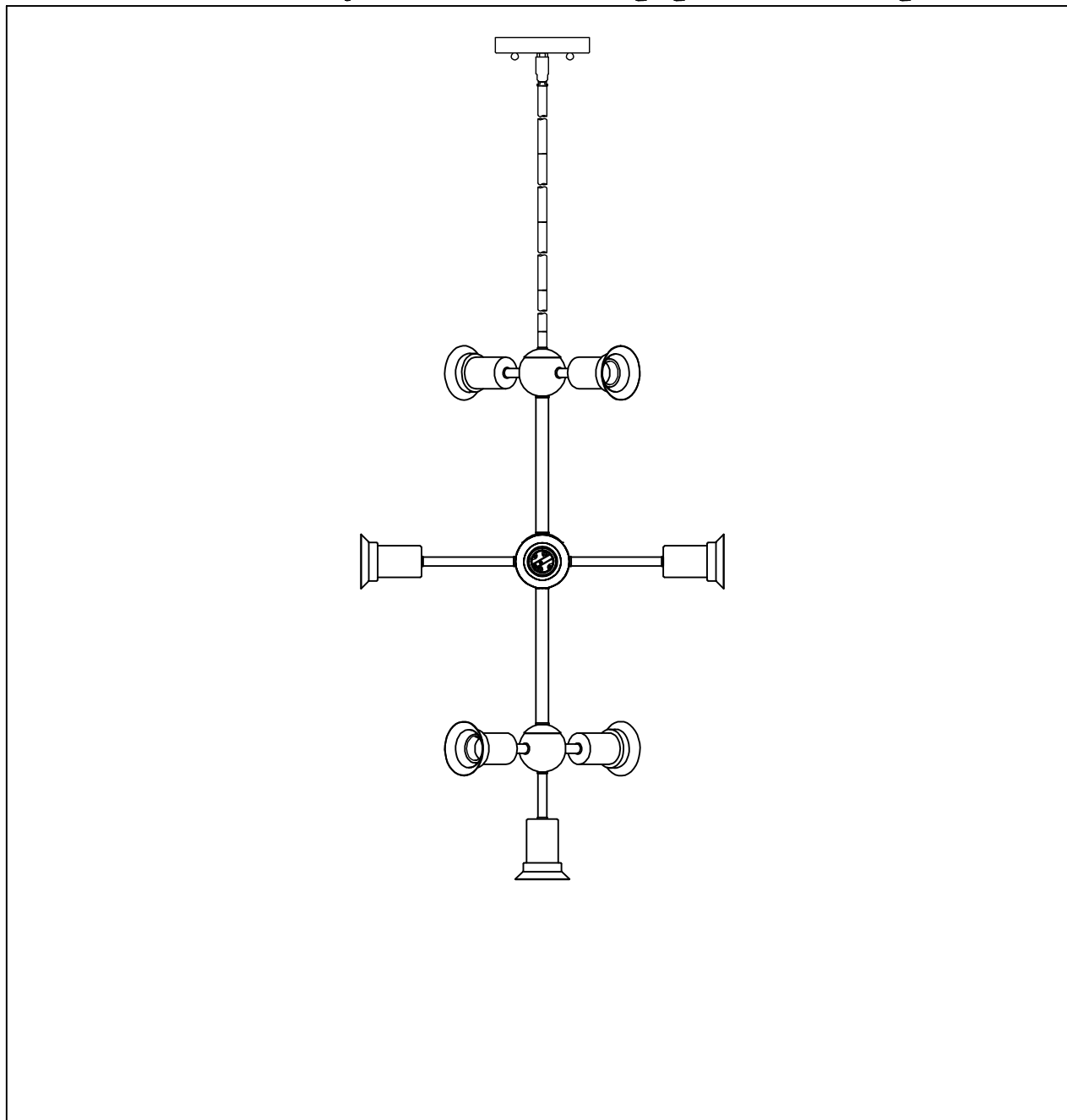




**PRODUCT NAME: Molecule 9-Light Pendant**  
**ITEM NUMBER: 11349**

**Please consult your electrician for hanging fixture and wiring.**



**Bulb(not included): 9-60 Watt G40 Bulbs**

**IMPORTANT:** Turn off the power at the main fuse or circuit breaker box before starting installation



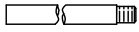
**A**  
Crossbar x1pc



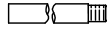
**B**  
Screw x2pcs



**C**  
Ball nut x2pcs

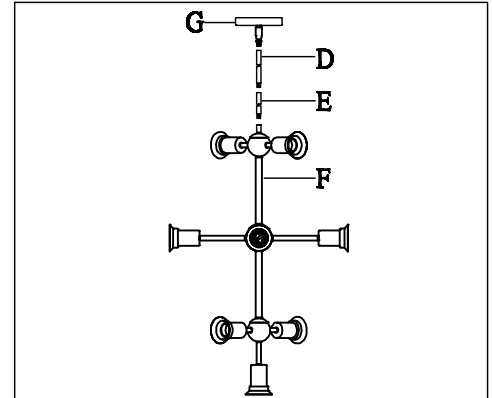
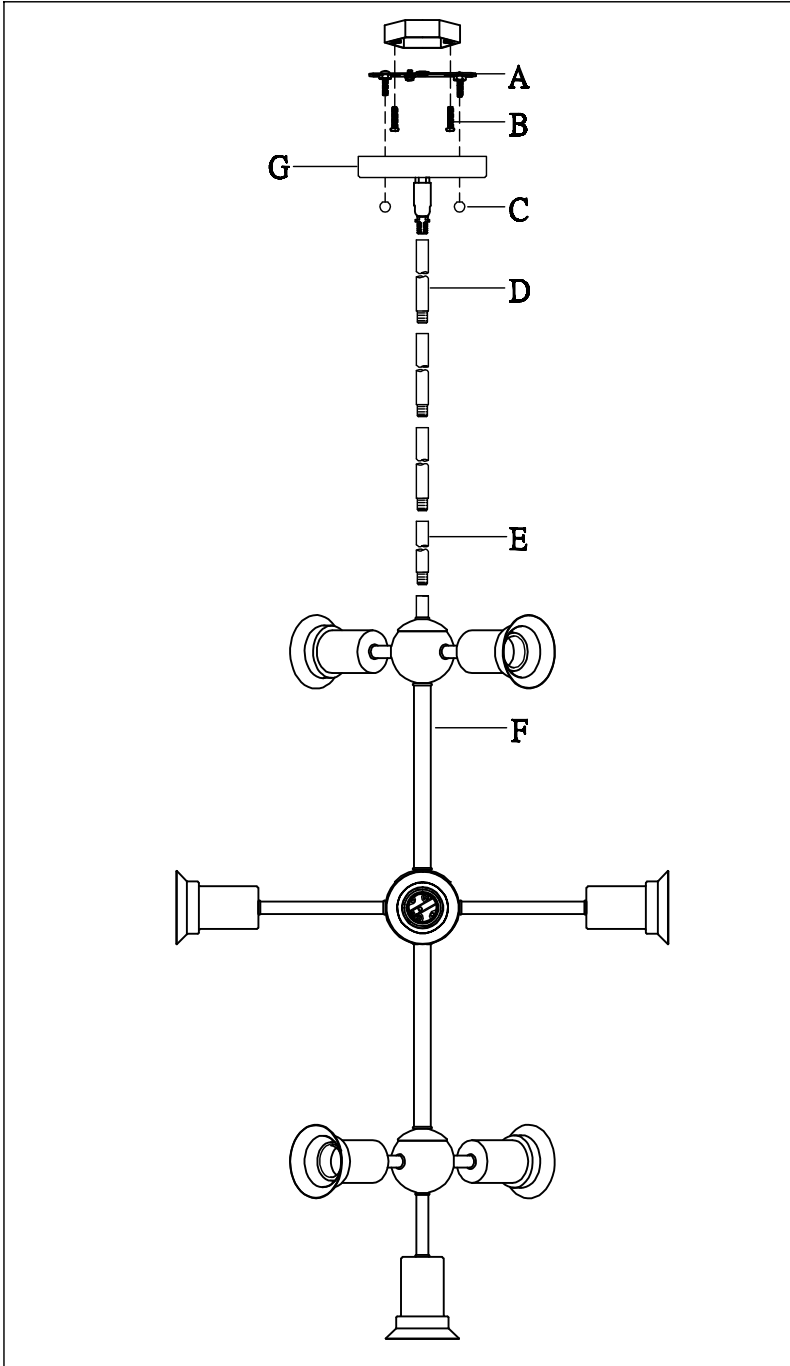


**D**  
12" Rod x3pcs



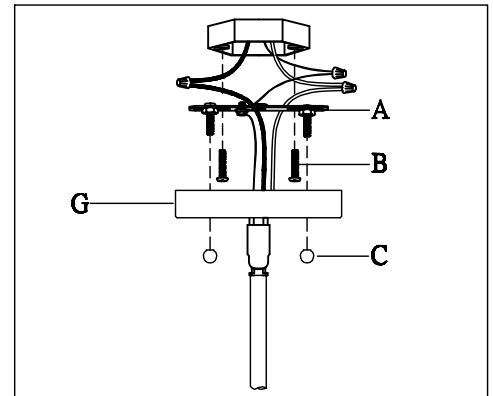
**E**  
6" Rod x1pc

**Locate all hardware & components before discarding packaging**



1.)

**Step 1. Run wire through stems and combine stem lengths to meet desired mounting height.**



2.)

**Step 2.**

**Remove mounting bracket from fixture and install to electrical box.**

**Wire fixture to wires in outlet box.**

**Green wire is for Ground.**

**Install fixture to bracket and tighten**

**Ball nut(C) on the bottom of the canopy to secure.**

**Cleaning & Care:**

**Clean with soft cloth and a mild detergent.**

**Do not use abrasive cleaner.**